



HATT  
ARMOUR SYSTEMS™





*A range of height-adjustable, technical tables that we've designed specifically for museum laboratories and conservation studios, with simplicity and good ergonomics in mind.*

#### CONCEPT: HATT SYSTEM



With an understanding of the working practices and needs of conservation professionals our intention is to offer a simple range of well-designed, ergonomically considered work tables that allow full flexibility in any task.

*Designer Brian McManus 2015*

HATT SYSTEM



Antibacterial surfaces utilising TRESPA® TOPLAB®



Optional, ultra-slim LED light-box with glass cover



Micro hydraulic lifting system with 400mm travel



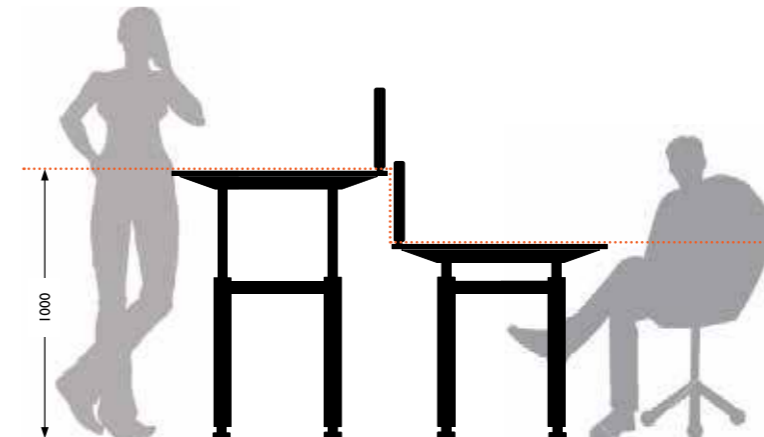
Electric or manually operated movement



Low-level / spring-loaded, lockable castors

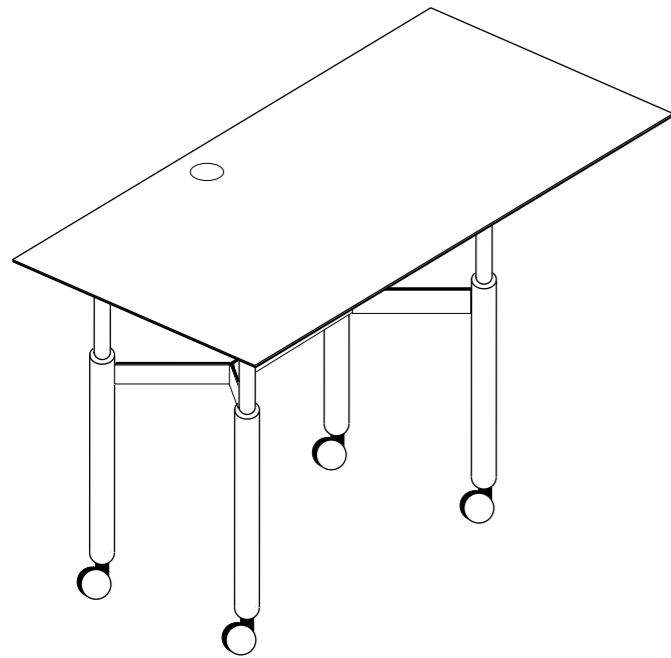
TECHNICAL FEATURES

With considered design and precision engineering the system offers a range of height-adjustable technical tables with anti-bacterial surfaces supported on stable, mobile frame structures.

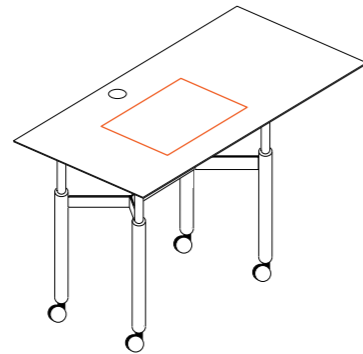


Seated or stand-up working

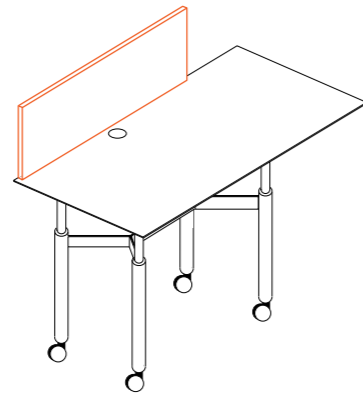
HATT SYSTEM



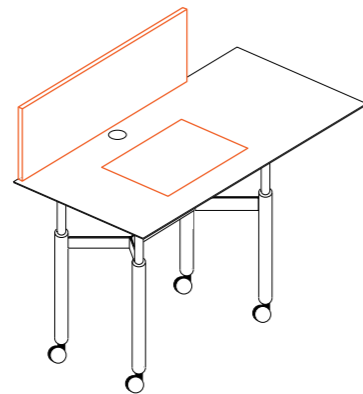
HATT 01  
Base unit:  
Technical table surfaces on supporting  
leg-frames with castors



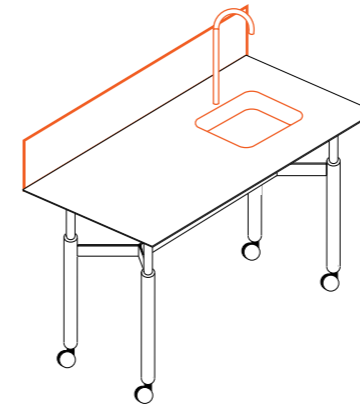
HATT 01/01  
Inset light boxes with  
flush protective glass



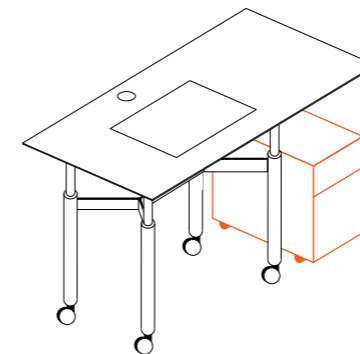
HATT 01/02  
Acoustic or anti-  
bacterial screens



HATT 01/03  
Screens plus inset  
lightboxes



HATT 01/04  
Splash-back panels  
and inset sink units.



HATT 01/05  
Under-desk mobile  
pedestals

COMPONENT OPTIONS

Establish product numbering system at this point?

## HATT SYSTEM

### HATT 01

1600mm x 800mm / LFI

Maximum height 1100mm / minimum height 700mm

### HATT 02

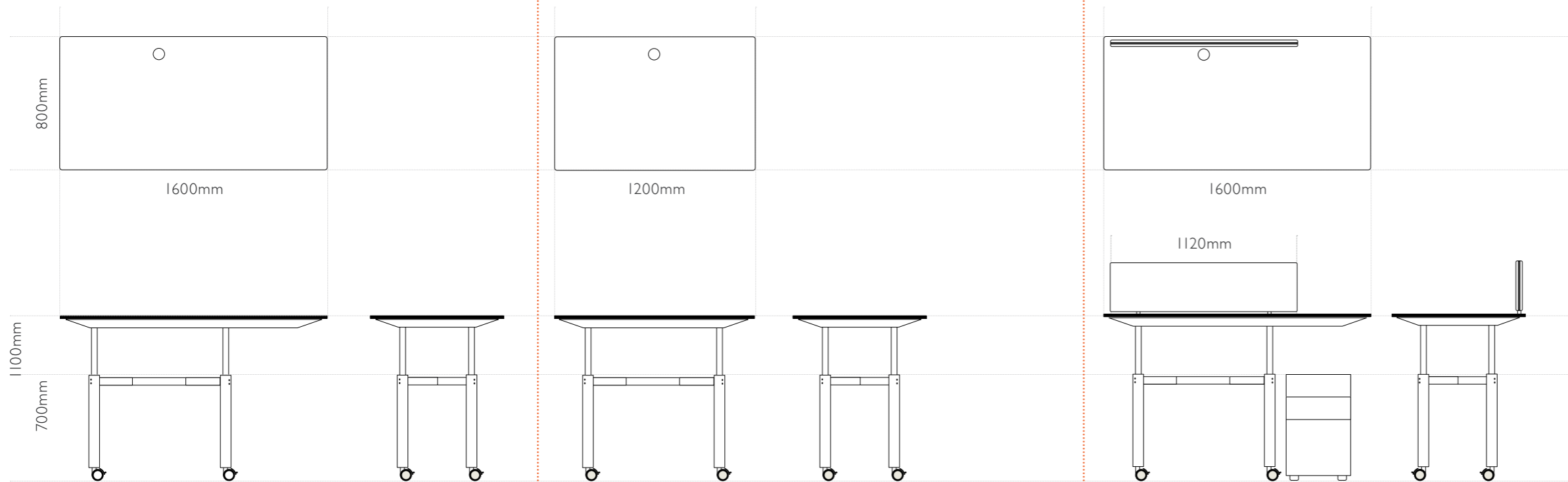
1200mm x 800mm / LFI

Maximum height 1100mm / minimum height 700mm

### HATT 03

1600mm x 800mm / LFI / SCI

Maximum height 1100mm / minimum height 700mm

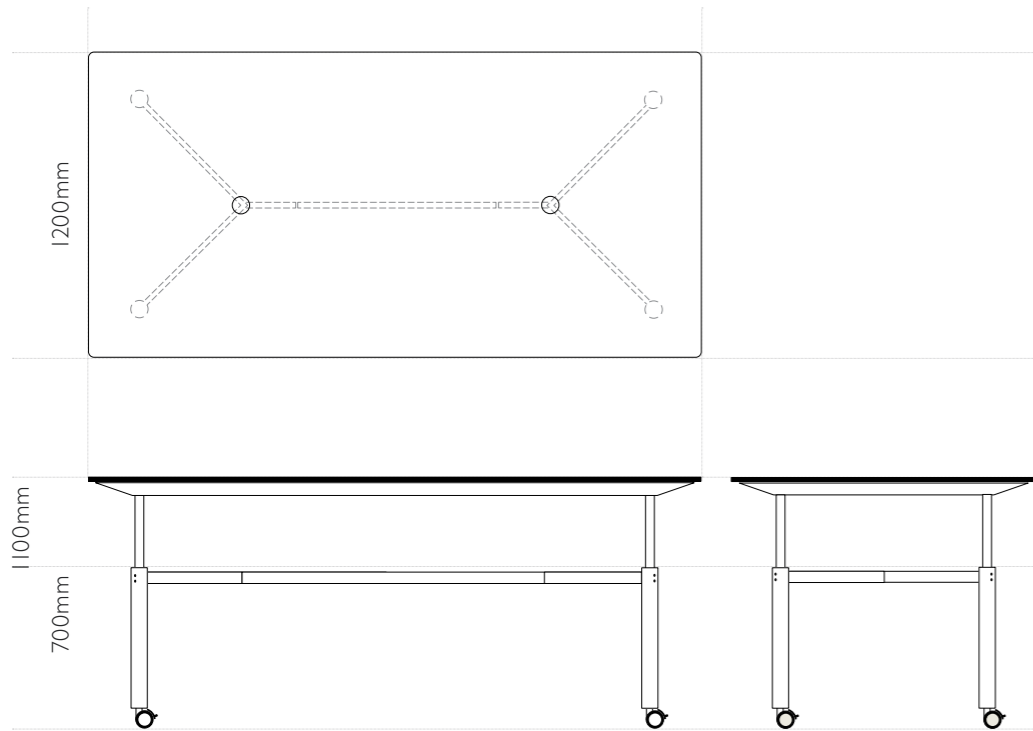


## PLANNING MODULES

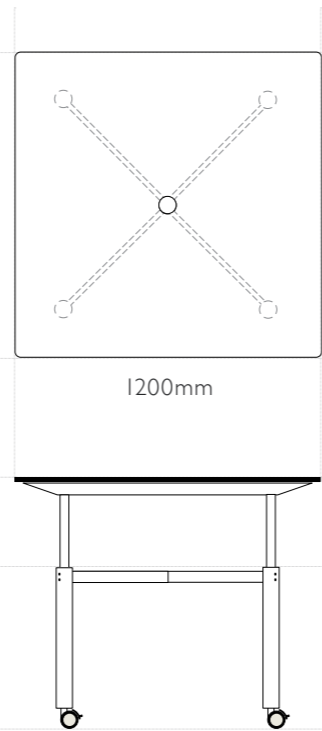
Establish product numbering system at this point?

HATT SYSTEM

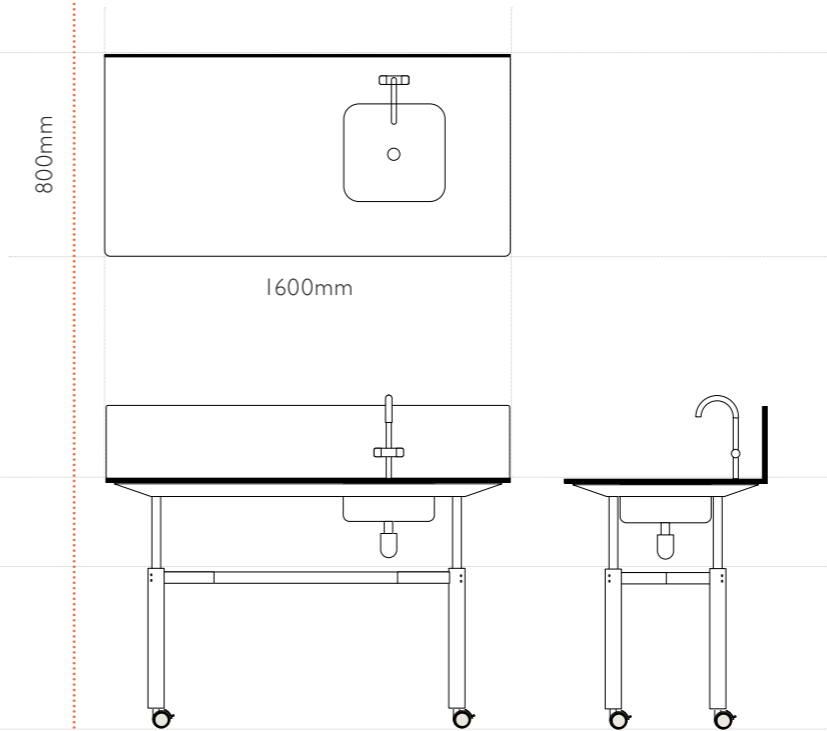
HATT 04  
2400mm x 120mm / LF1  
Maximum height 1100mm / minimum height 700mm



HATT 05  
1200mm x 1200mm / LF1  
Maximum height 1100mm  
/ minimum height 700mm



HATT 06  
1600mm x 800mm / LF2 / SC2  
Maximum height 1100mm / minimum height 700mm

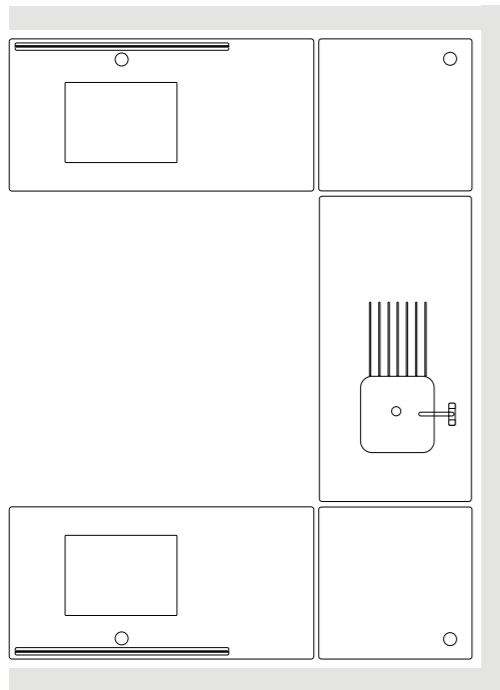


PLANNING MODULES

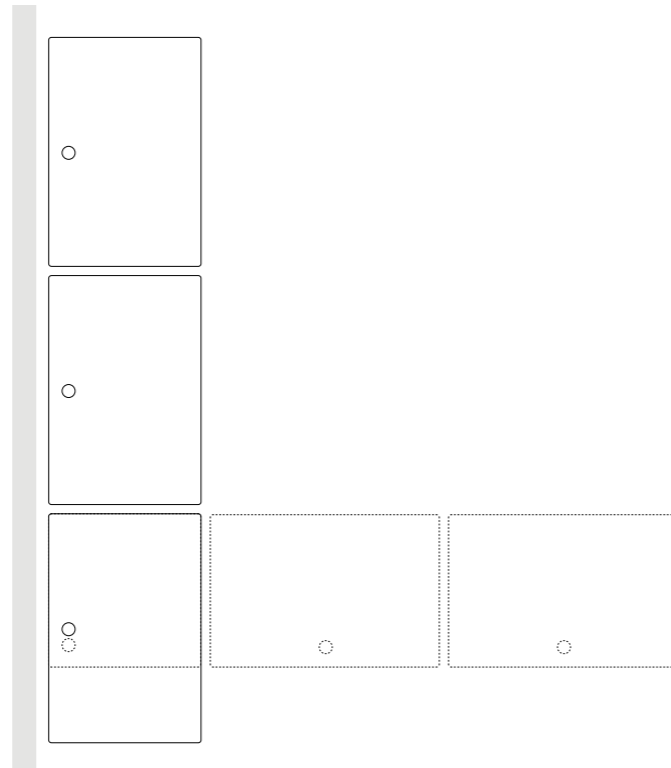
Establish product numbering system at this point?

## HATT SYSTEM

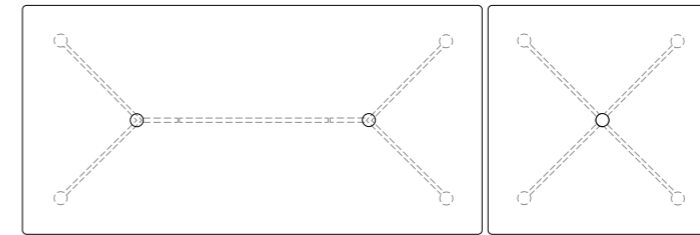
Units arranged in 'horseshoe' with backs to walls and with flexible connections for water supply and drainage to the sink unit.



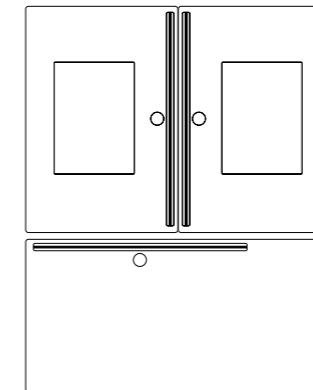
1200mm wide workstations arranged against wall and/or in L-shape.



Large workbenches in two sizes arranged in the midfloor for work on large items.



1200mm and 1600mm units arranged back-to-back in the mid-floor with screens between.

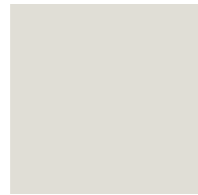


## CONFIGURATIONS

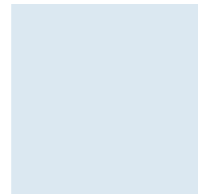
Sample configurations showing how the system can be used.



T03.0.0  
WHITE



T03.1.0  
PASTEL GREY



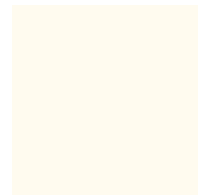
T21.1.1  
GLACIER BLUE



T90.0.0  
BLACK

WORK SURFACE FINISH OPTIONS

BASE FINISH OPTIONS



RAL 9010



RAL 7032



RAL 9005

COLOURS AND MATERIALS

Product ranges include: Planorama, HATT system, Nova, Proframe, Vision.

ARMOUR SYSTEMS™  
MUSEUM WORKSHOP  
Conservation By Design Limited  
Unit J, Lyon Road  
Denbigh West, Milton Keynes  
MK1 1EX United Kingdom  
DL +44 (0) 1234 846300  
E info@armoursystems.co.uk  
www.armour-systems.com

Offices also in: Oslo, Tranas, Boxtel, Neu Ulm, Paris, Lille, Ceski Krumlov, Treviso & North America, Asia, Australia, New Zealand, Japan, Korea, China.