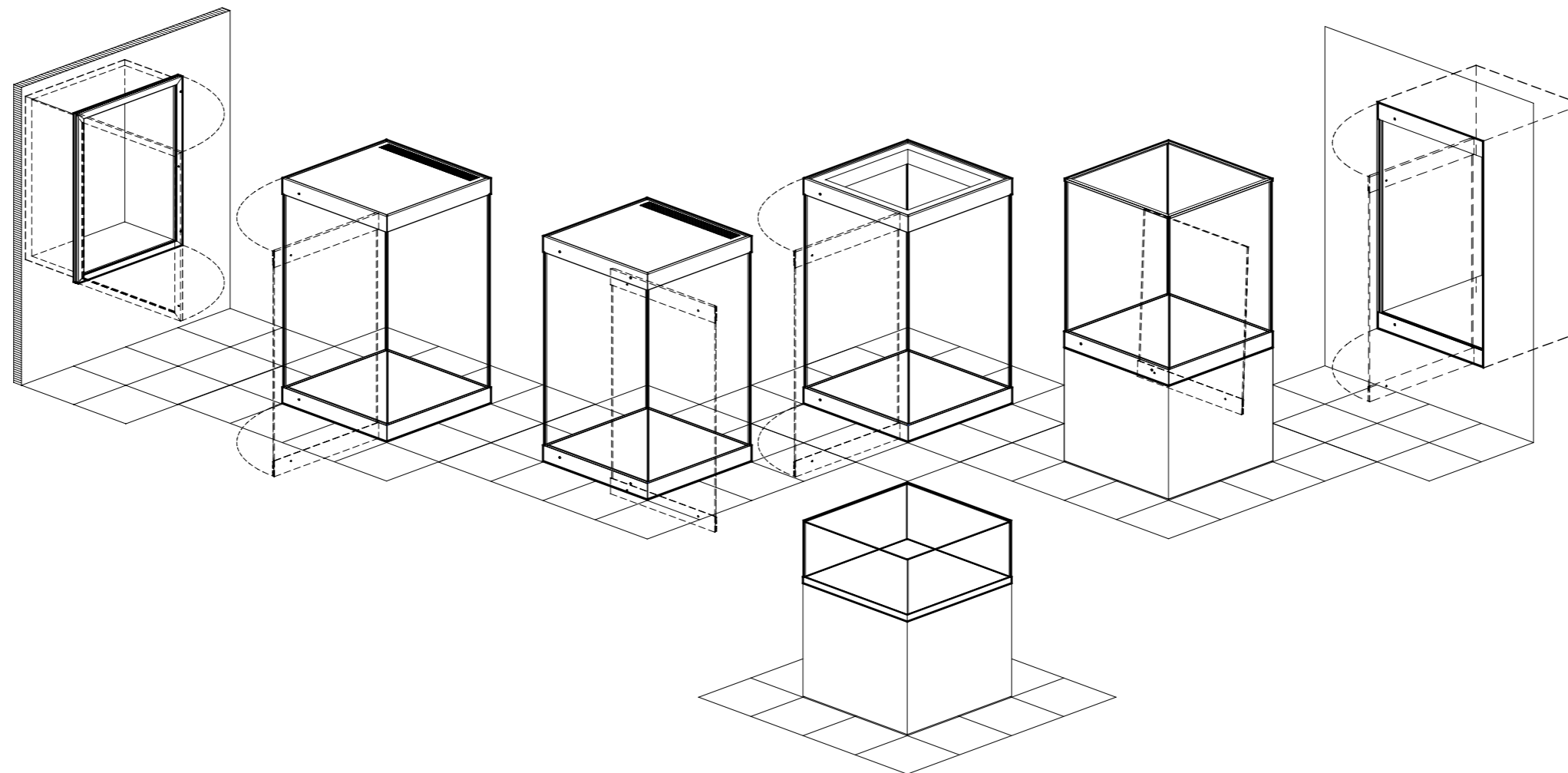


The Museum Showcase Brochure a guide for designers & specifiers

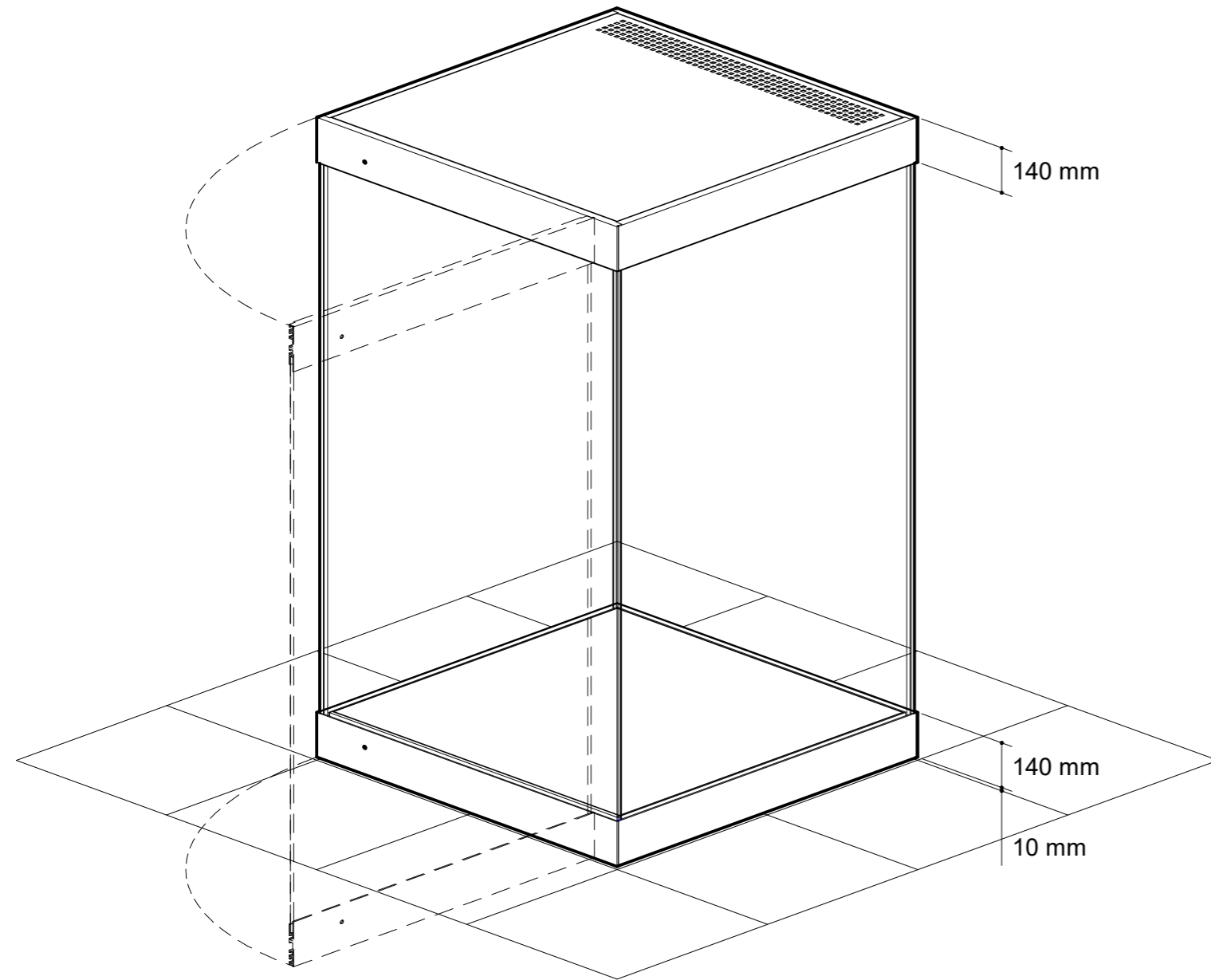


Museum showcase menu

**ARMOUR
SYSTEMS**

| | |
|-------------|---|
| 1.01 | Nova showcase with hinged door Glazed on 4 sides |
| 1.02 | Nova showcase with pull & slide door Glazed on 4 sides |
| 1.03 | Nova showcase with hinged door Glazed on 3 sides with solid back |
| 1.04 | Nova showcase with glazed hinged door with solid back & side panels |
| 1.05 | Nova showcase with hinged door Glazed on 4 sides + glazed top |
| 1.06 | Nova showcase with single mechanism pull & slide door Glazed on 5 sides |
| 1.07 | Nova fascia system casefront with hinged or pull & slide door For building into structures |
| 2.01 | ProFrame casefront with hinged door For building into structures |
| 3.01 | Vision plinth top showcase with lift off or hinged canopy Glazed on 5 sides |
| 3.02 | Vision wall mounted showcase with lift off or hinged canopy Glazed on 5 sides |
| 4.01 | Shelving: Suspended or Cantilevered options For Nova & ProFrame showcases |

High security conservation showcase with hinged door
Glazed on 4 sides



Standard features ●
Optional features ○

Exterior frame finish

● Polyester powder coated to any RAL colour ref

Glazing

● 11.5mm laminated standard glass
○ 13.5mm laminated standard glass

○ 11.5mm laminated low iron glass
○ 13.5mm laminated low iron glass

○ 11.5mm laminated low reflective glass
○ 13.5mm laminated low reflective glass

Interior dress panel

Header & base panels in sealed ZF MDF

○ Fabric finished to client's specification

○ Polyester powder coated to any RAL colour ref

○ Conservation grade emulsion painted to client's specification

○ Laminate finished to client's specification

Security

● Concealed Abloy balanced cam locks

○ Abloy cylinder locks with espagnolette bolt system

Lighting

○ Fibre optic heads with remote dimmable low voltage tungsten halogen projector

○ Fibre optic heads with remote metal halide projector

○ Low voltage LED

Conditioning

○ Silica gel cassette compartment

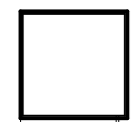
○ Micro Climate AS 600 fan assisted silica gel system for larger volume showcases

Shelving

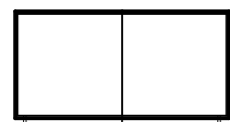
○ Adjustable suspended rod system with 10mm toughened glass shelves

Adjustable cantilever system with 10mm toughened glass shelves

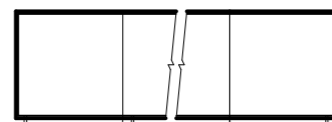
Typical 'Concourse' configurations



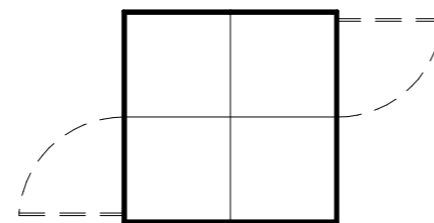
Single bay



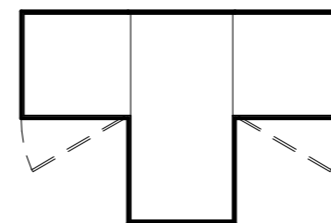
Double bay



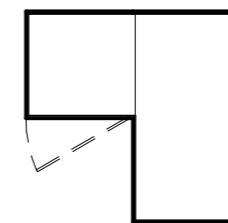
Multi bay



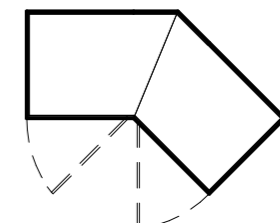
Multi bay



'T' form

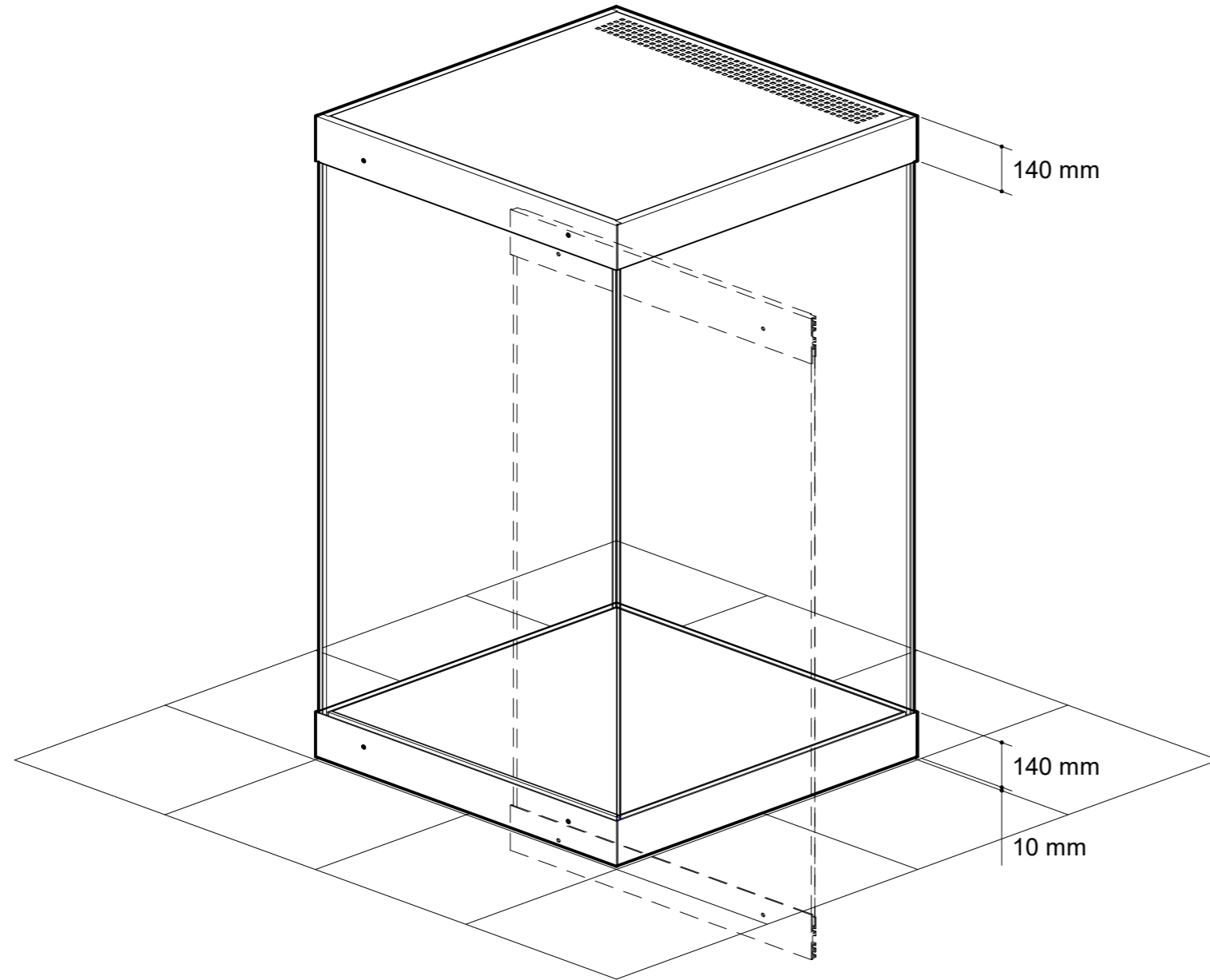


'L' form



Faceted form

High security conservation showcase with pull & slide door
 Glazed on 4 sides



Standard features ●
 Optional features ○

Exterior frame finish

● Polyester powder coated to any RAL colour ref

Glazing

● 11.5mm laminated standard glass
 ○ 13.5mm laminated standard glass

○ 11.5mm laminated low iron glass
 ○ 13.5mm laminated low iron glass

○ 11.5mm laminated low reflective glass
 ○ 13.5mm laminated low reflective glass

Interior dress panel

Header & base panels in sealed ZF MDF

○ Fabric finished to client's specification

○ Polyester powder coated to any RAL colour ref

○ Conservation grade emulsion painted to client's specification

○ Laminate finished to client's specification

Security

● Concealed Abloy balanced cam locks

○ Abloy cylinder locks with espagnolette bolt system

Lighting

○ Fibre optic heads with remote dimmable low voltage tungsten halogen projector

○ Fibre optic heads with remote metal halide projector

○ Low voltage LED

Conditioning

○ Silica gel cassette compartment

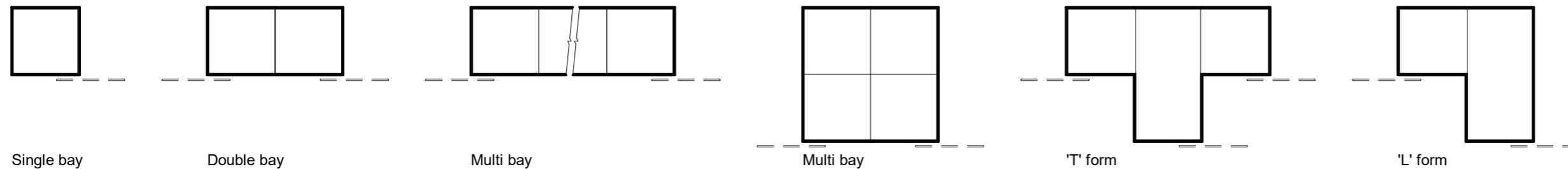
○ Micro Climate AS 600 fan assisted silica gel system for larger volume showcases

Shelving

○ Adjustable suspended rod system with 10mm toughened glass shelves

Adjustable cantilever system with 10mm toughened glass shelves

Typical 'Concourse' configurations



Single bay

Double bay

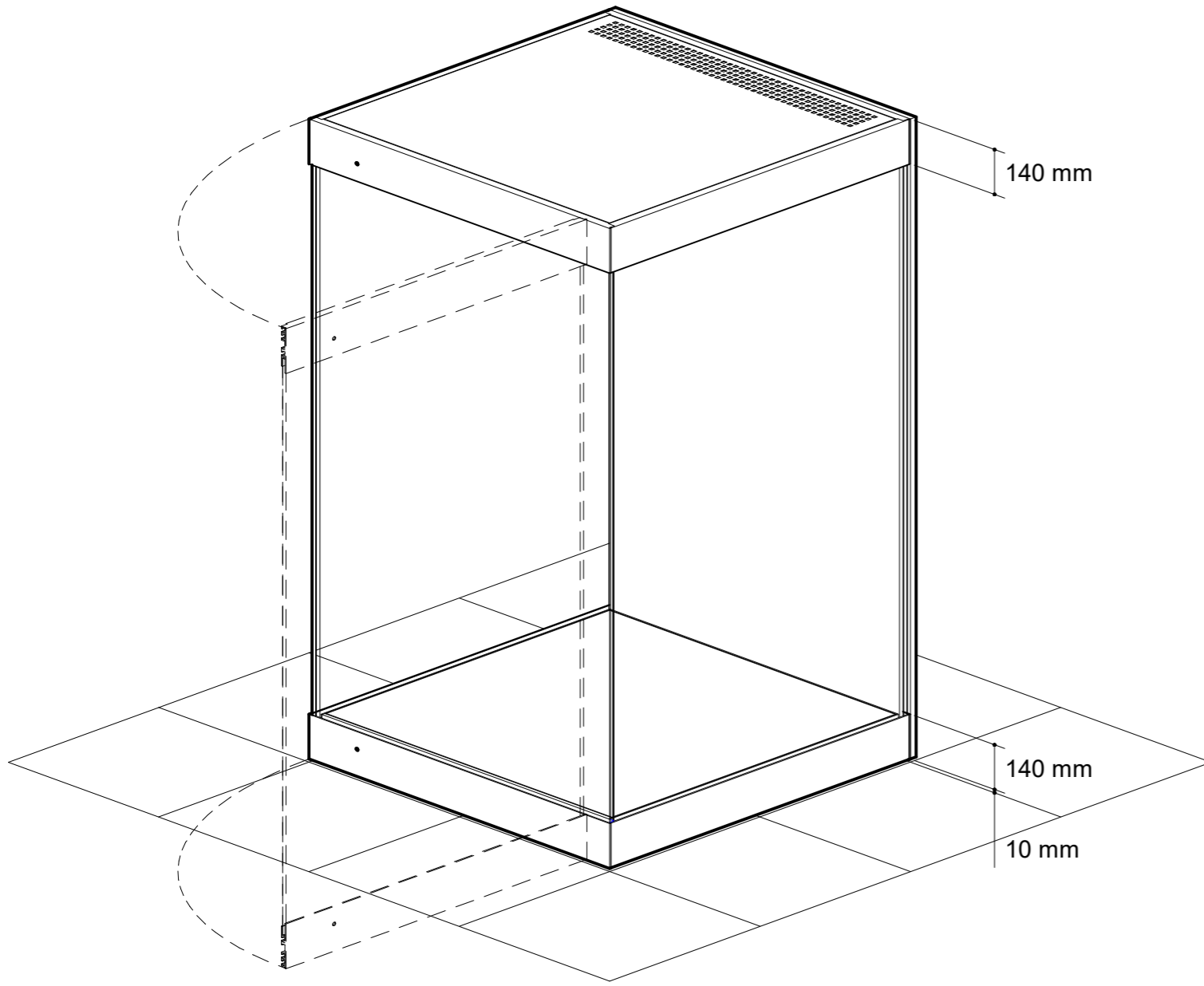
Multi bay

Multi bay

'T' form

'L' form

High security conservation showcase with hinged door
 Glazed on 3 sides with solid back panel



Standard features ●
 Optional features ○

Exterior frame finish ● Polyester powder coated to any RAL colour ref

Glazing

- 11.5mm laminated standard glass
- 13.5mm laminated standard glass
- 11.5mm laminated low iron glass
- 13.5mm laminated low iron glass
- 11.5mm laminated low reflective glass
- 13.5mm laminated low reflective glass

Interior dress panel
 Header, base & back panels in sealed ZF MDF

- Fabric finished to client's specification
- Polyester powder coated to any RAL colour ref
- Conservation grade emulsion painted to client's specification
- Laminate finished to client's specification

Security

- Concealed Abloy balanced cam locks
- Abloy cylinder locks with espagnolette bolt system

Lighting

- Fibre optic heads with remote dimmable low voltage tungsten halogen projector
- Fibre optic heads with remote metal halide projector
- Low voltage LED

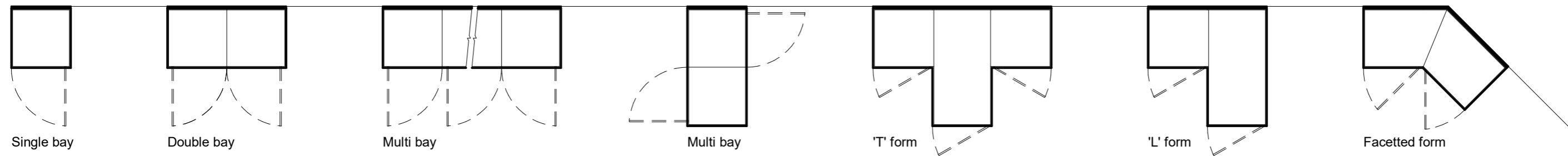
Conditioning

- Silica gel cassette compartment
- Micro Climate AS 600 fan assisted silica gel system for larger volume showcases

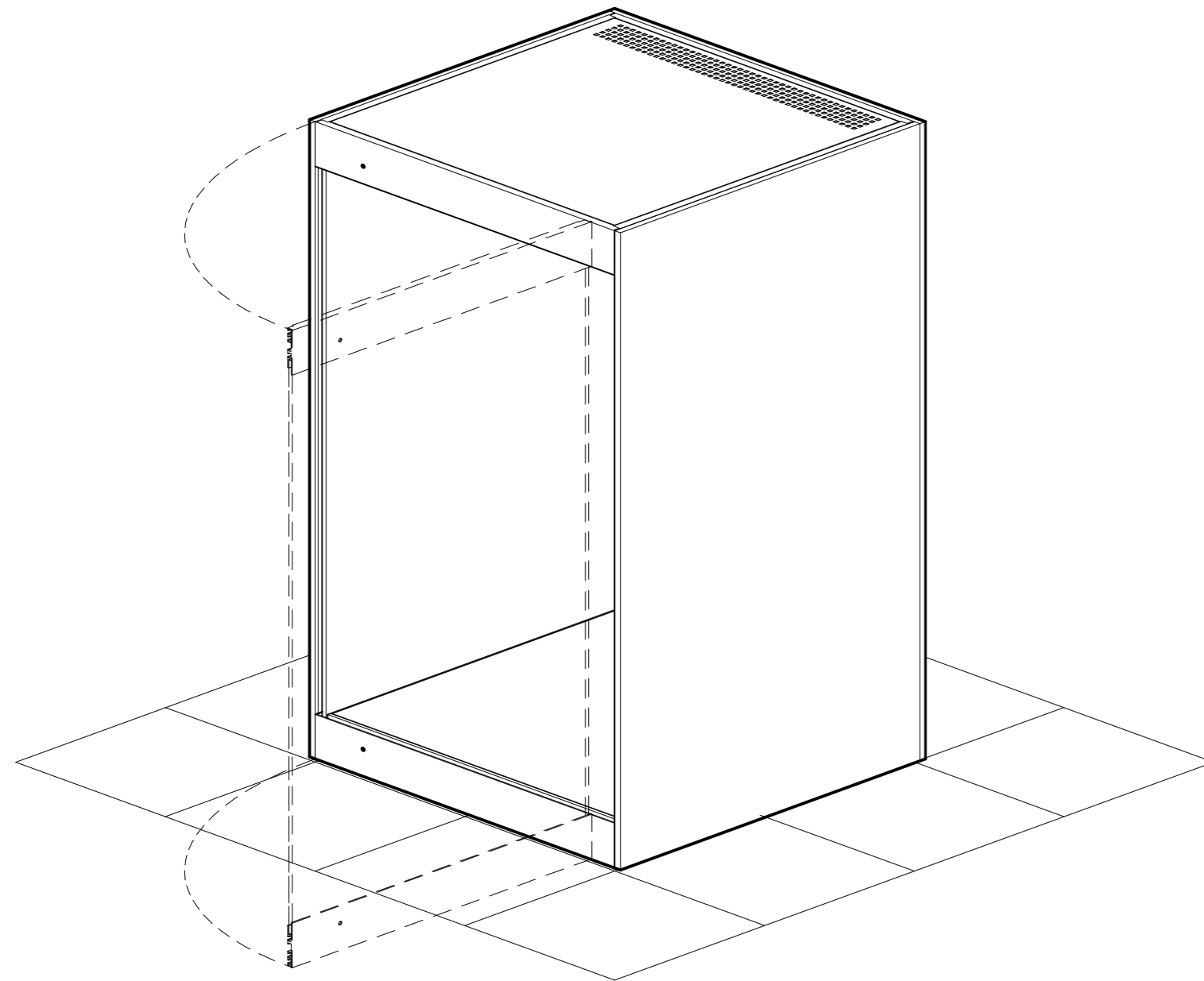
Shelving

- Adjustable suspended rod system with 10mm toughened glass shelves
- Adjustable cantilever system with 10mm toughened glass shelves

Typical 'Corridor' configurations



High security conservation showcase with hinged door
 Glazed on 1 side with solid back and side panels



Standard features ●
 Optional features ○

Exterior frame finish

● Polyester powder coated to any RAL colour ref

Glazing

- 11.5mm laminated standard glass
- 13.5mm laminated standard glass
- 11.5mm laminated low iron glass
- 13.5mm laminated low iron glass
- 11.5mm laminated low reflective glass
- 13.5mm laminated low reflective glass

Interior dress panel

Header & base panels in sealed ZF MDF

- Fabric finished to client's specification
- Polyester powder coated to any RAL colour ref
- Conservation grade emulsion painted to client's specification
- Laminate finished to client's specification

Security

- Concealed Abloy balanced cam locks
- Abloy cylinder locks with espagnolette bolt system

Lighting

- Fibre optic heads with remote dimmable low voltage tungsten halogen projector
- Fibre optic heads with remote metal halide projector
- Low voltage LED

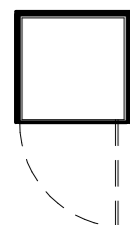
Conditioning

- Silica gel cassette compartment
- Micro Climate AS 600 fan assisted silica gel system for larger volume showcases

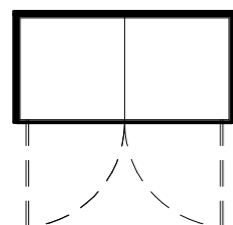
Shelving

- Adjustable suspended rod system with 10mm toughened glass shelves
- Adjustable cantilever system with 10mm toughened glass shelves

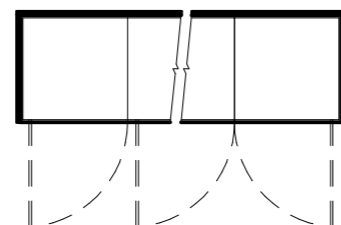
Typical configurations



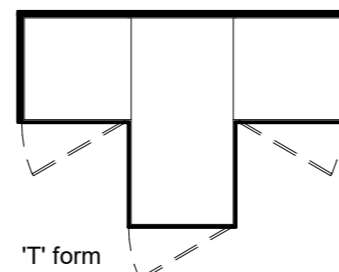
Single bay



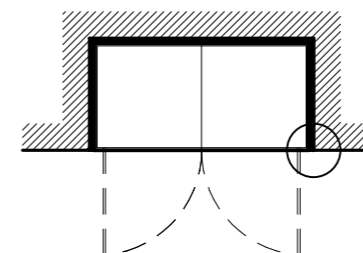
Double bay



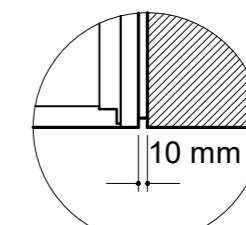
Multi bay



'T' form

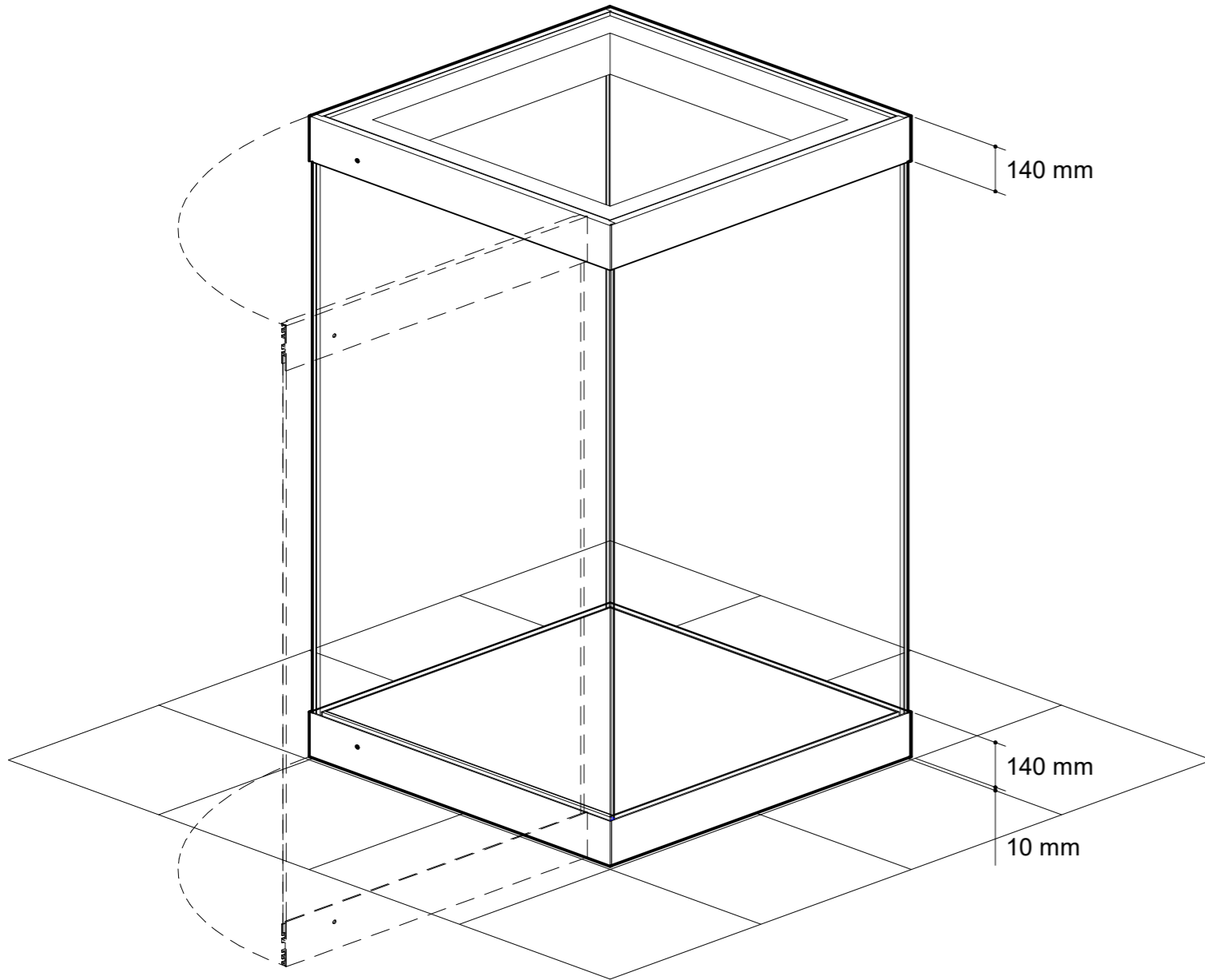


Showcase inset in wall



Detail of typical clearance between showcase & wall

High security conservation showcase with hinged door
 Glazed on 4 sides + glazed top



Standard features ●
 Optional features ○

Exterior frame finish

● Polyester powder coated to any RAL colour ref

Glazing

● 11.5mm laminated standard glass
 ○ 13.5mm laminated standard glass

○ 11.5mm laminated low iron glass
 ○ 13.5mm laminated low iron glass

○ 11.5mm laminated low reflective glass
 ○ 13.5mm laminated low reflective glass

Interior dress panel

Base panel in sealed ZF MDF

○ Fabric finished to client's specification

○ Polyester powder coated to any RAL colour ref

○ Conservation grade emulsion painted to client's specification

○ Laminate finished to client's specification

Security

● Concealed Abloy balanced cam locks

○ Abloy cylinder locks with espagnolette bolt system

Lighting

○ Fibre optic heads with remote dimmable low voltage tungsten halogen projector

○ Fibre optic heads with remote metal halide projector

○ Low voltage LED

Conditioning

○ Silica gel cassette compartment

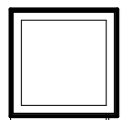
○ Micro Climate AS 600 fan assisted silica gel system for larger volume showcases

Shelving

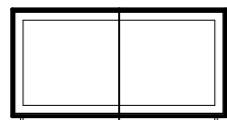
○ Adjustable suspended rod system with 10mm toughened glass shelves

Adjustable cantilever system with 10mm toughened glass shelves

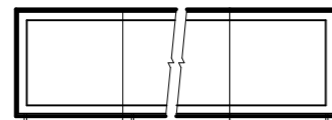
Typical 'Concourse' configurations



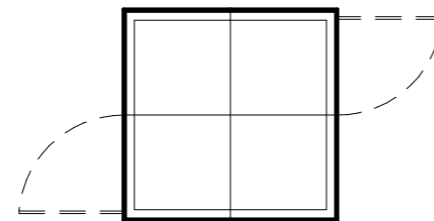
Single bay



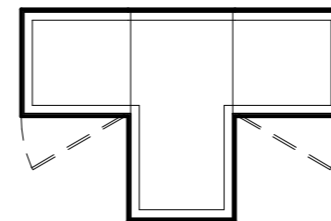
Double bay



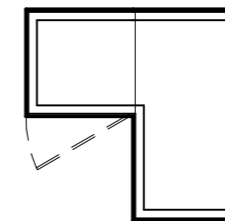
Multi bay



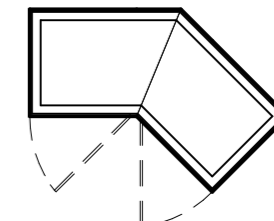
Multi bay



'T' form



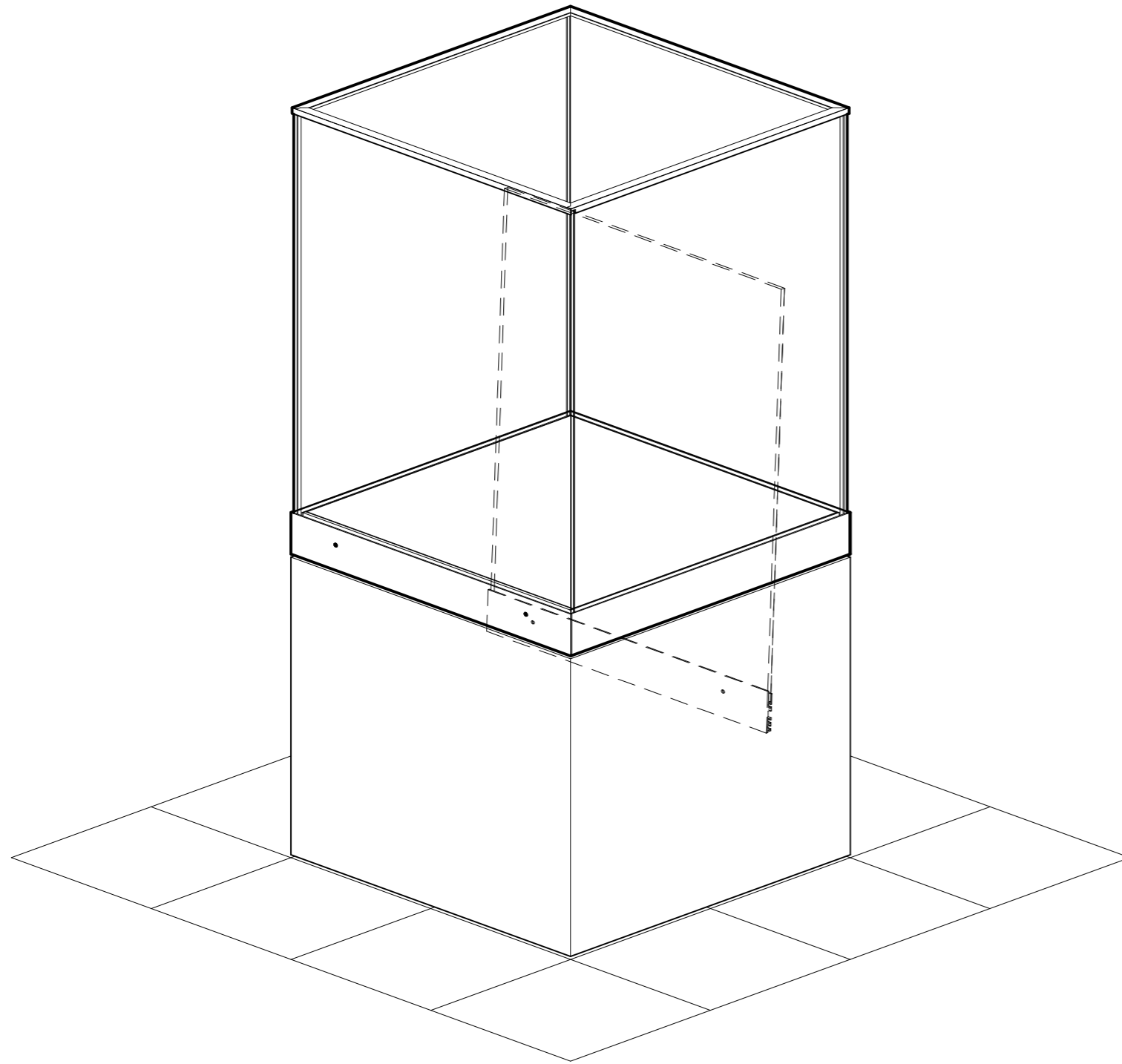
'L' form



Faceted form

High security conservation showcase with single mechanism pull & slide door

Glazed on 5 sides



Standard features ●

Optional features ○

Exterior frame finish

● Polyester powder coated to any RAL colour ref

Glazing

● 11.5mm laminated standard glass

○ 13.5mm laminated standard glass

○ 11.5mm laminated low iron glass

○ 13.5mm laminated low iron glass

○ 11.5mm laminated low reflective glass

○ 13.5mm laminated low reflective glass

Interior dress panel

Base panel in sealed ZF MDF

○ Fabric finished to client's specification

○ Polyester powder coated to any RAL colour ref

○ Conservation grade emulsion painted to client's specification

○ Laminate finished to client's specification

Security

● Concealed Abloy balanced cam locks

○ Abloy cylinder locks with espagnolette bolt system

Lighting

○ Fibre optic heads with remote dimmable low voltage tungsten halogen projector

○ Fibre optic heads with remote metal halide projector

○ Low voltage LED

Conditioning

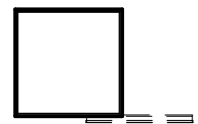
○ Silica gel cassette compartment

○ Micro Climate AS 600 fan assisted silica gel system for larger volume showcases

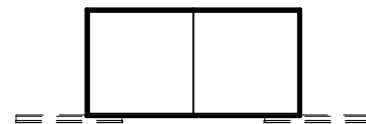
Shelving

○ Adjustable suspended rod system with 10mm toughened glass shelves

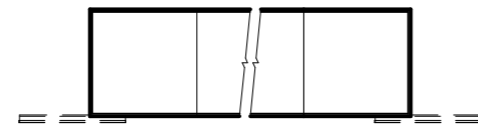
Typical 'Concourse' configurations



Single bay



Double bay



fixed glazing

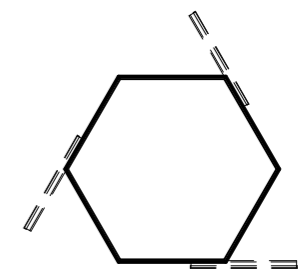
Multi bay



'T' form

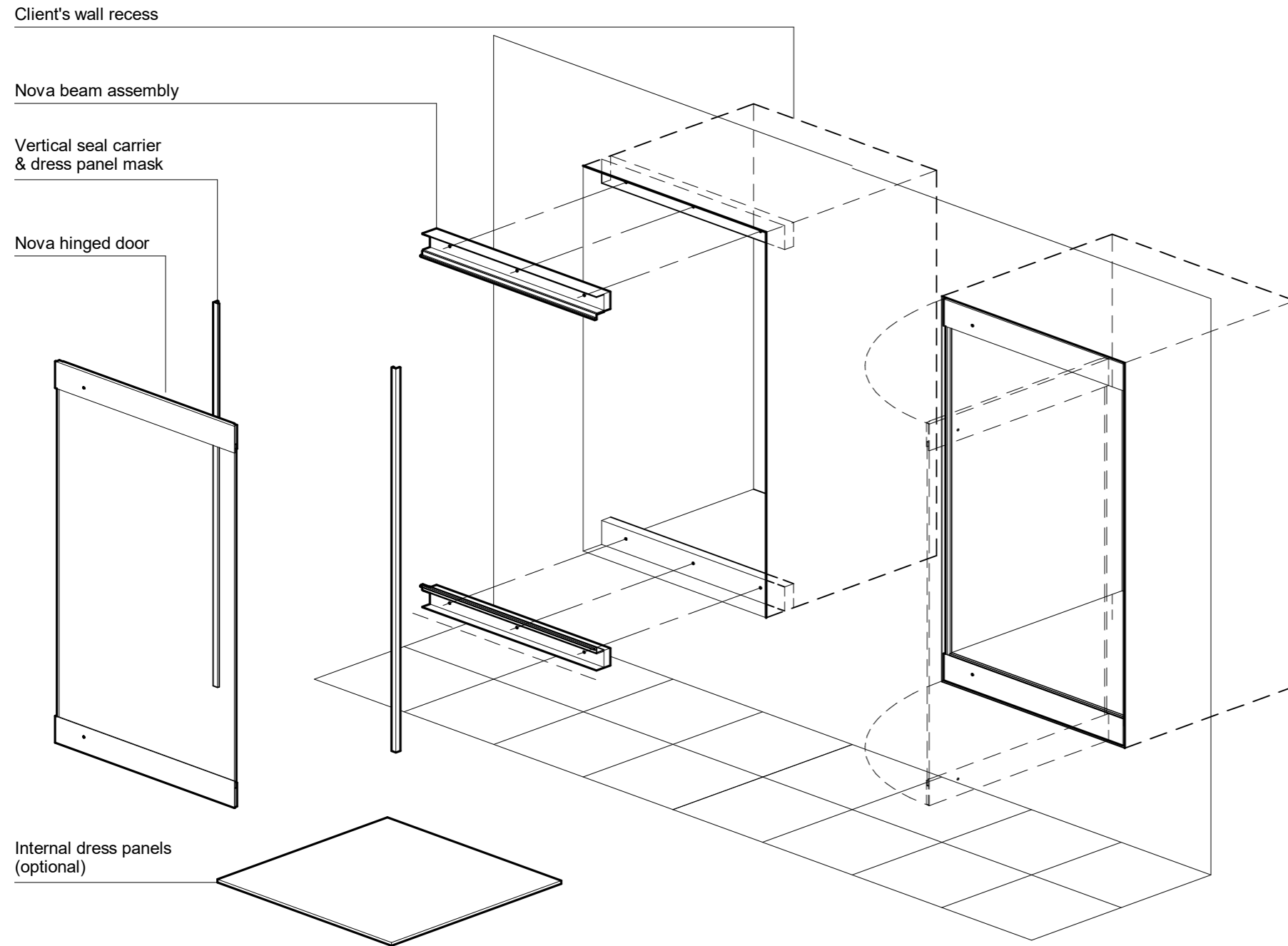


'L' form



Facetted form

Fascia System-High security conservation casefront with glazed hinged door



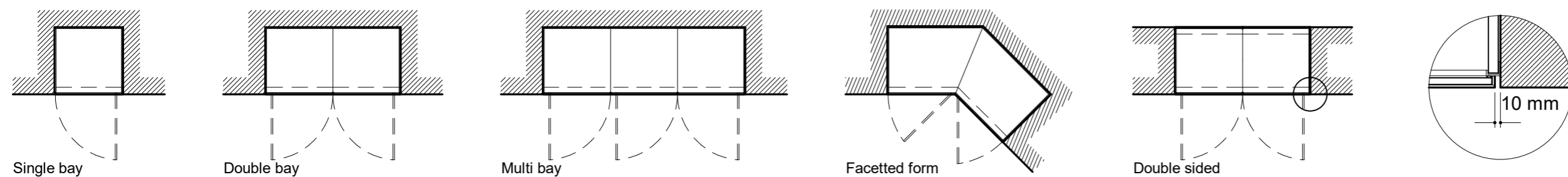
Standard features ●
Optional features ○

- Exterior frame finish** ● Polyester powder coated to any RAL colour ref
- Glazing**
 - 11.5mm laminated standard glass
 - 13.5mm laminated standard glass
 - 11.5mm laminated low iron glass
 - 13.5mm laminated low iron glass
 - 11.5mm laminated low reflective glass
 - 13.5mm laminated low reflective glass
- Interior dress panel**

Header, base, side & back panels in sealed ZF MDF

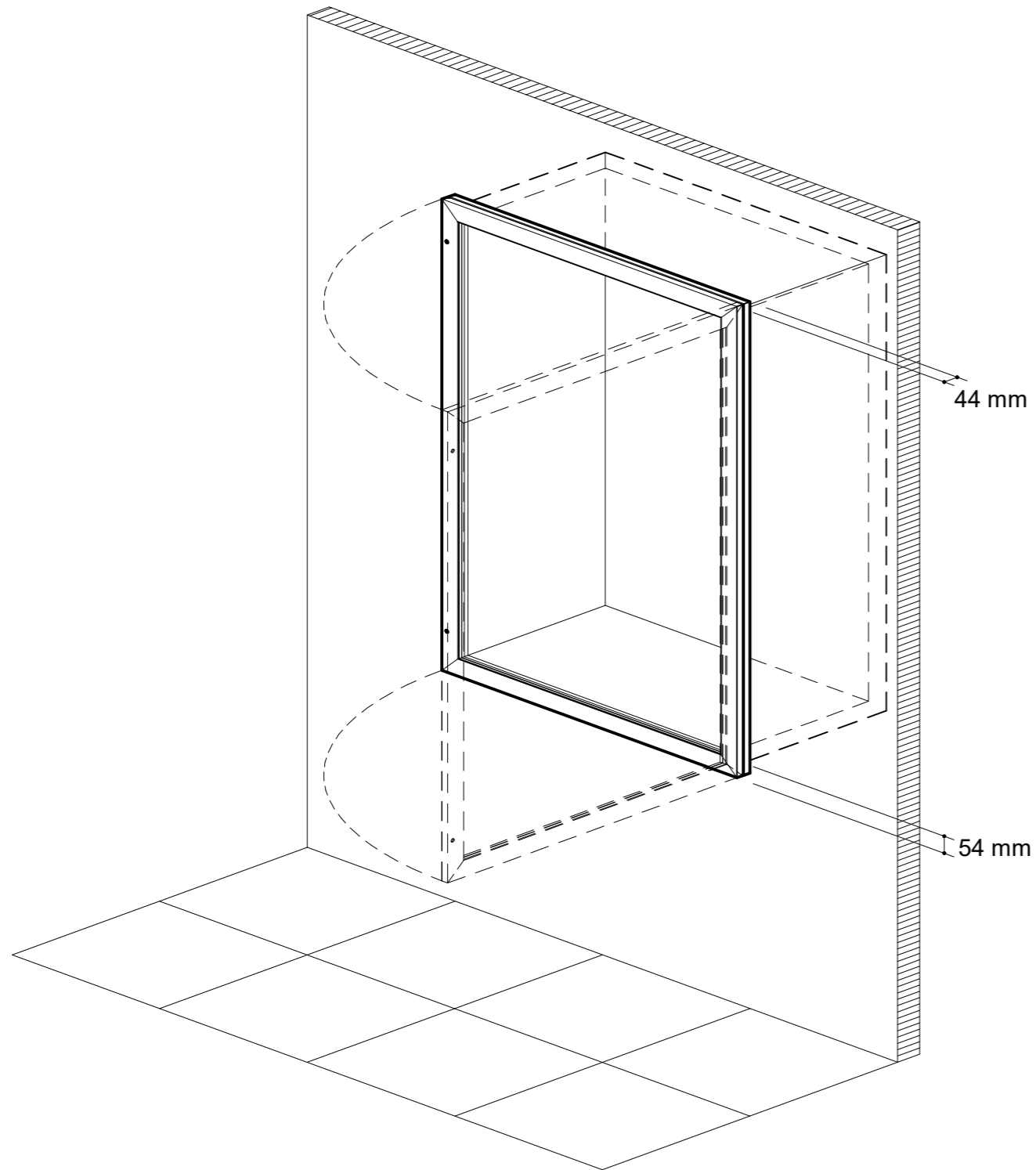
 - Fabric finished to client's specification
 - Polyester powder coated to any RAL colour ref
 - Conservation grade emulsion painted to client's specification
 - Laminate finished to client's specification
- Security**
 - Concealed Abloy balanced cam locks
 - Abloy cylinder locks with espagnolette bolt system
- Lighting**
 - Fibre optic heads with remote dimmable low voltage tungsten halogen projector
 - Fibre optic heads with remote metal halide projector
 - Low voltage LED
- Conditioning**
 - Silica gel cassette compartment
 - Micro Climate AS 600 fan assisted silica gel system for larger volume showcases
- Shelving**
 - Adjustable suspended rod system with 10mm toughened glass shelves
 - Adjustable cantilever system with 10mm toughened glass shelves

Typical configurations



Pro Frame

High security conservation casefront with hinged door
For building into structures



Standard features ●
Optional features ○

Exterior frame finish

● Polyester powder coated to any RAL colour ref

Glazing

- 9.5mm laminated standard glass
- 11.5mm laminated standard glass
- 9.5mm laminated low iron glass
- 11.5mm laminated low iron glass
- 9.5mm laminated low reflective glass
- 11.5mm laminated low reflective glass

Carcase

● Museum grade sealed ZF MDF

Interior dress panels

Header, base, side & back panels
in sealed ZF MDF

- Fabric finished to client's specification
- Polyester powder coated to any RAL colour ref
- Conservation grade emulsion painted to client's specification
- Laminate finished to client's specification

Security

● Concealed Abloy balanced cam locks

Lighting

- Fibre optic heads with remote dimmable low voltage tungsten halogen projector
- Fibre optic heads with remote metal halide projector
- Low voltage LED

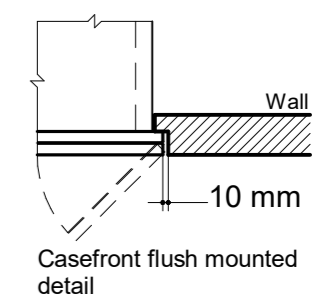
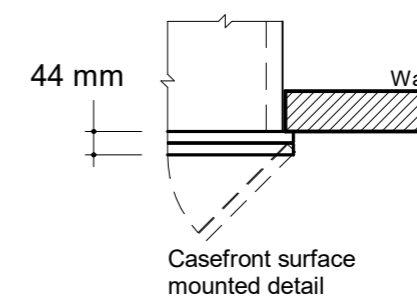
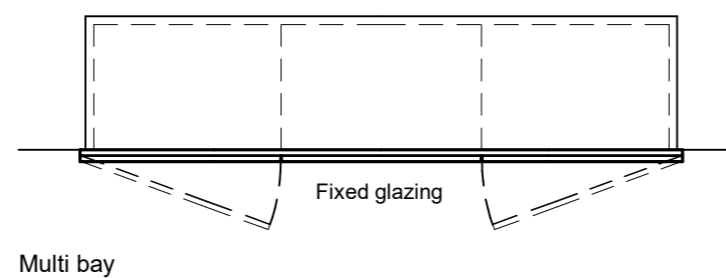
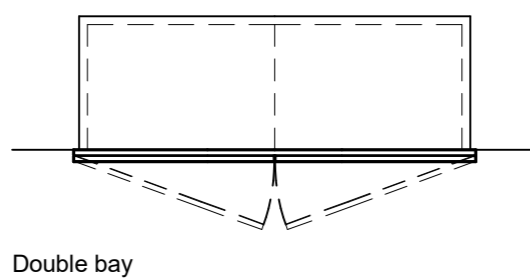
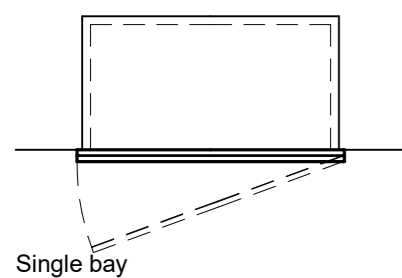
Conditioning

- Silica gel cassette compartment
- Micro Climate AS 600 fan assisted silica gel system for larger volume showcases

Shelving

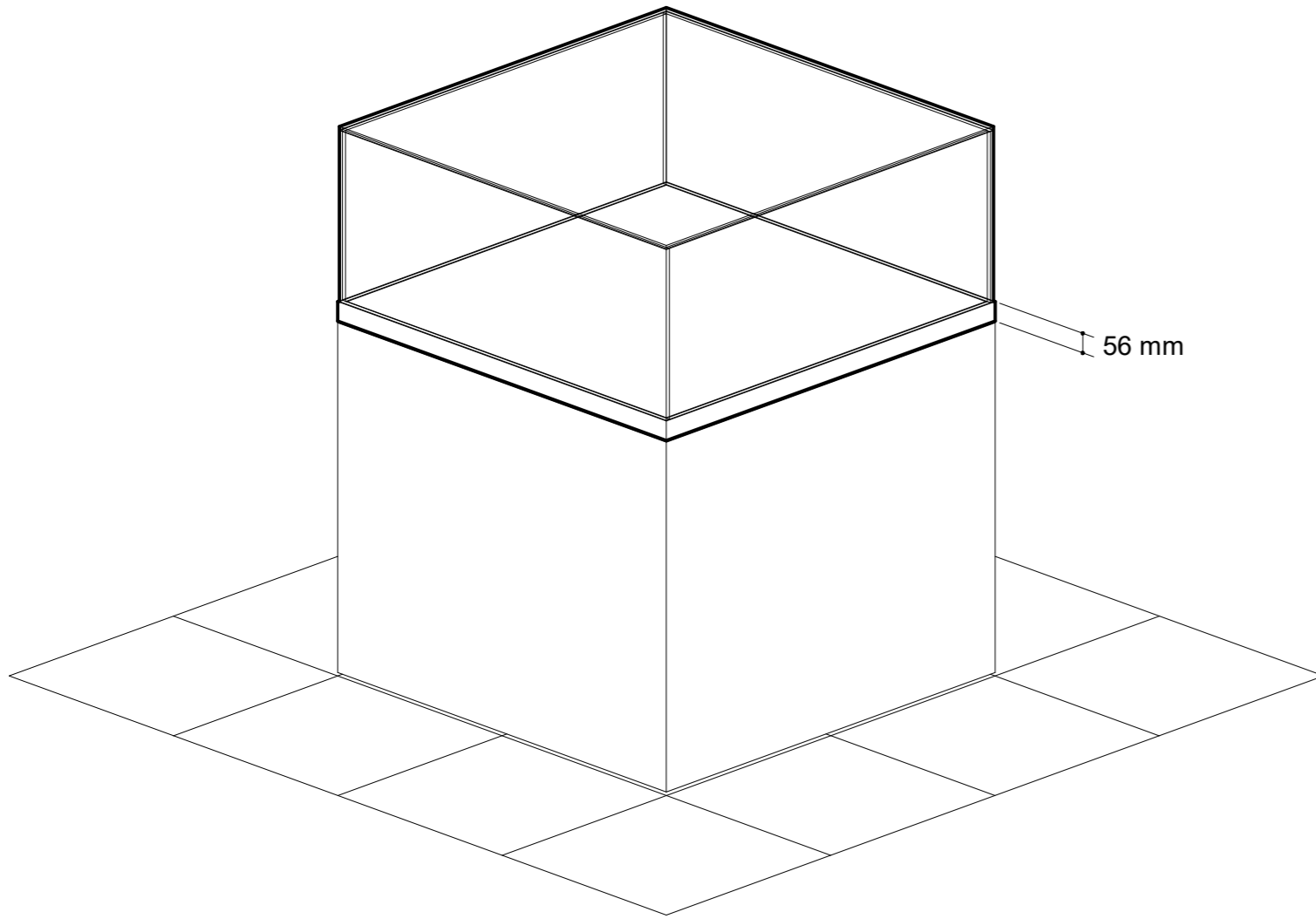
- Adjustable suspended rod system with 10mm toughened glass shelves
- Adjustable cantilever system with 10mm toughened glass shelves

Typical configurations



Vision

Plinth top high security conservation showcase - Lift off or Hinged canopy
 Glazed on 5 sides



Standard features ●
 Optional features ○

Exterior frame finish

● Polyester powder coated to any RAL colour ref

Glazing

● 9.5mm laminated standard glass

○ 9.5mm laminated low iron glass

Interior dress panel

Base panel in sealed ZF MDF

○ Fabric finished to client's specification

○ Polyester powder coated to any RAL colour ref

○ Conservation grade emulsion painted to client's specification

○ Laminate finished to client's specification

Security

● Abloy push locks

Lighting

○ Fibre optic heads with remote dimmable low voltage tungsten halogen projector

○ Fibre optic heads with remote metal halide projector

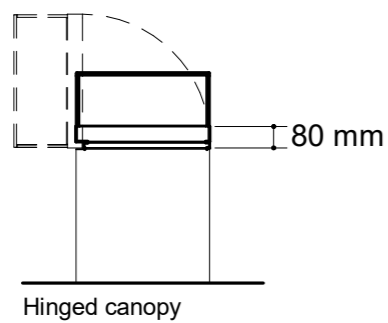
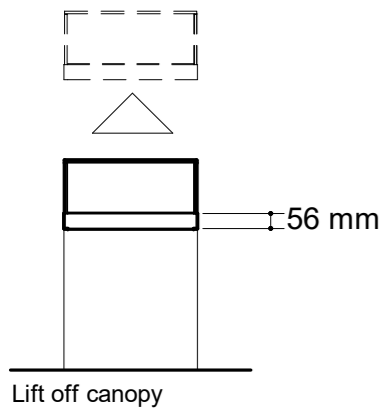
○ Low voltage LED

Conditioning

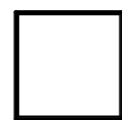
○ Silica gel cassette compartment

○ Micro Climate AS 600 fan assisted silica gel system for larger volume showcases

Typical configurations



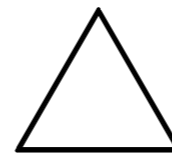
Potential plan shapes



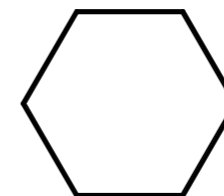
Square section



Rectangular section



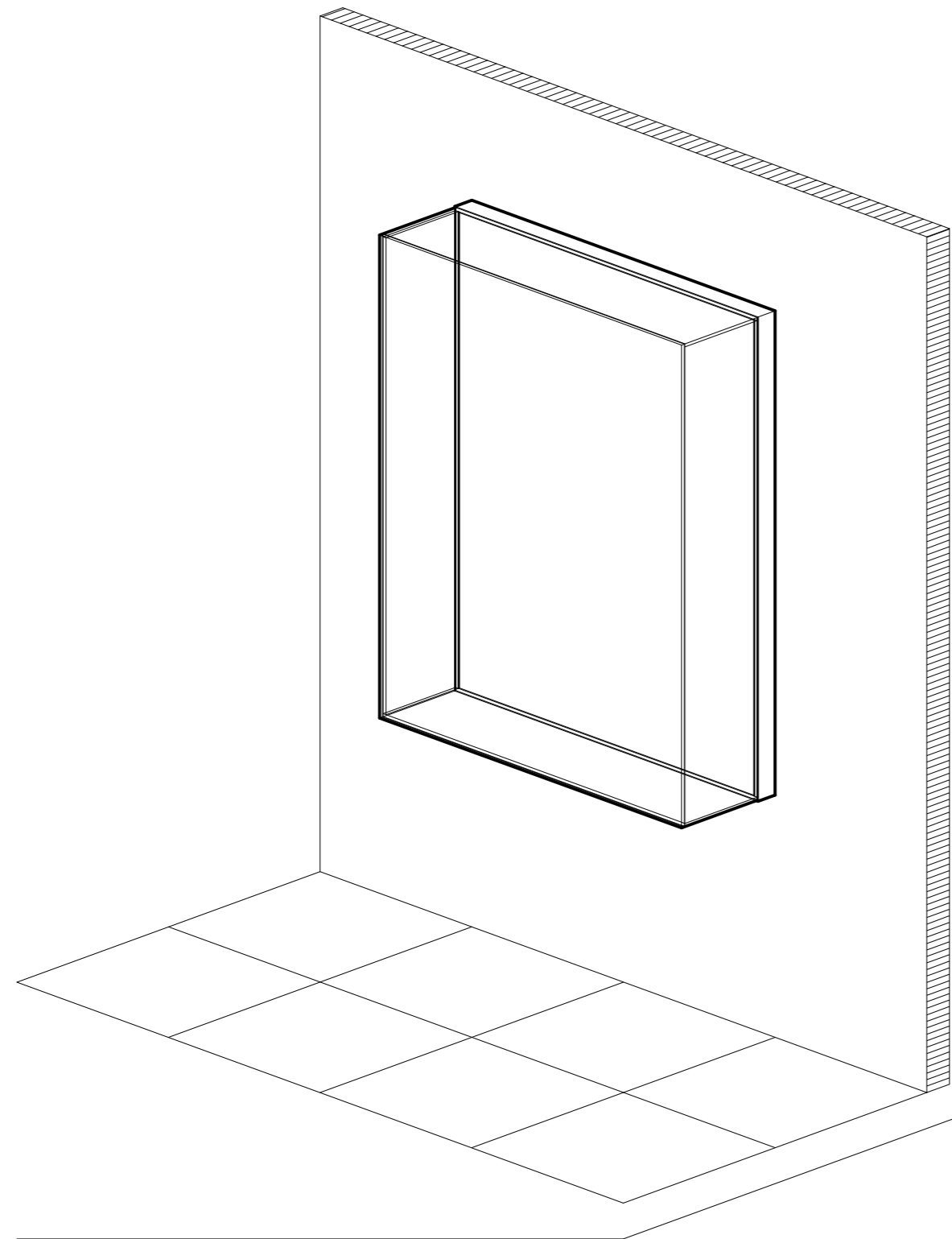
Triangular section



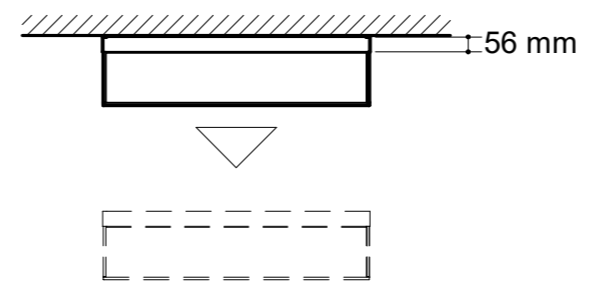
Multi sided section

Vision

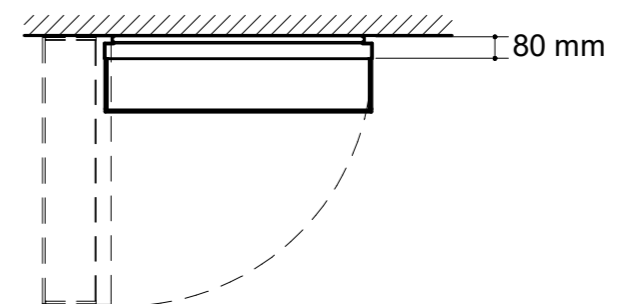
Wall mounted high security conservation showcase - Lift off or Hinged canopy
 Glazed on 5 sides



Typical configurations



Lift off canopy



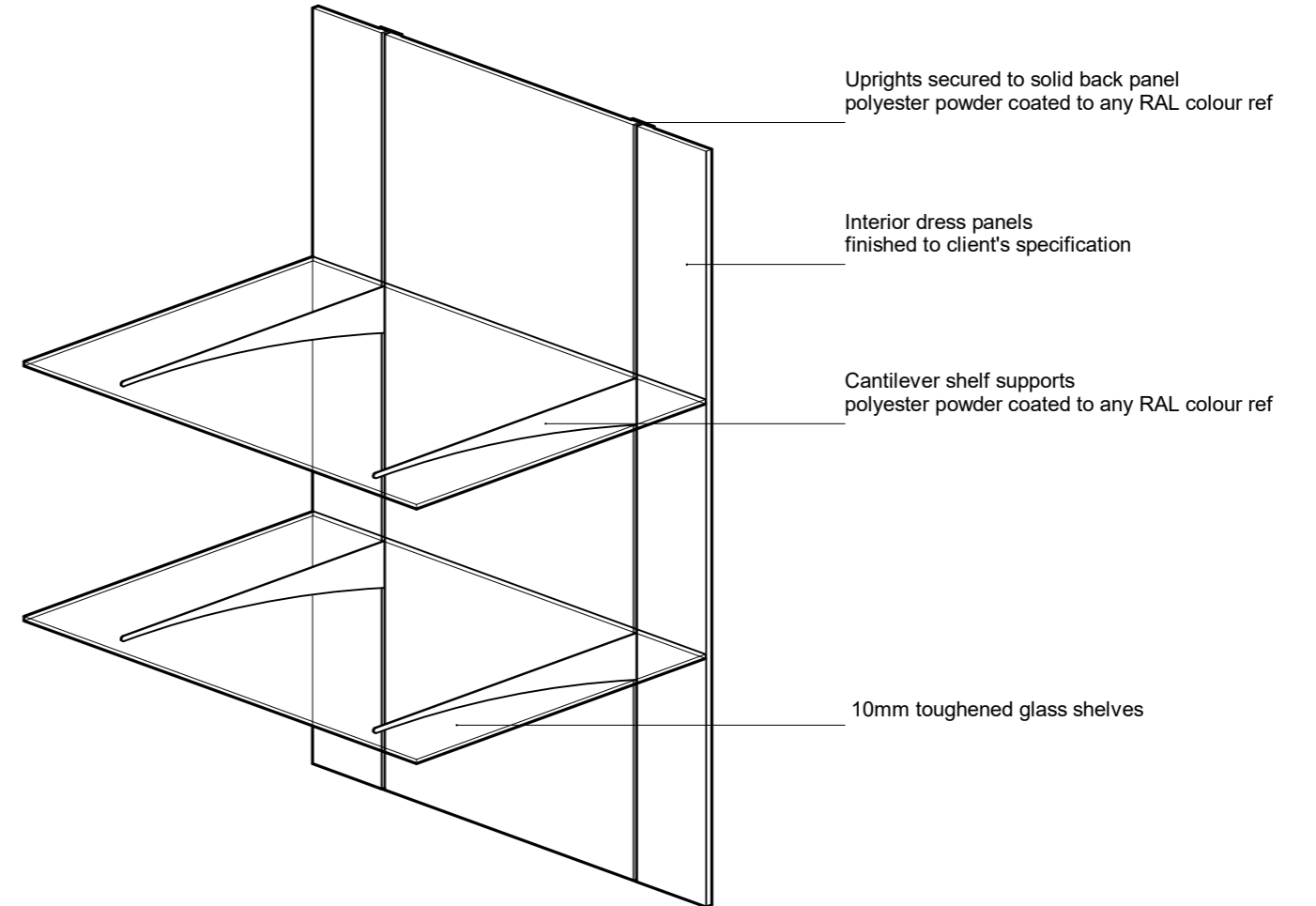
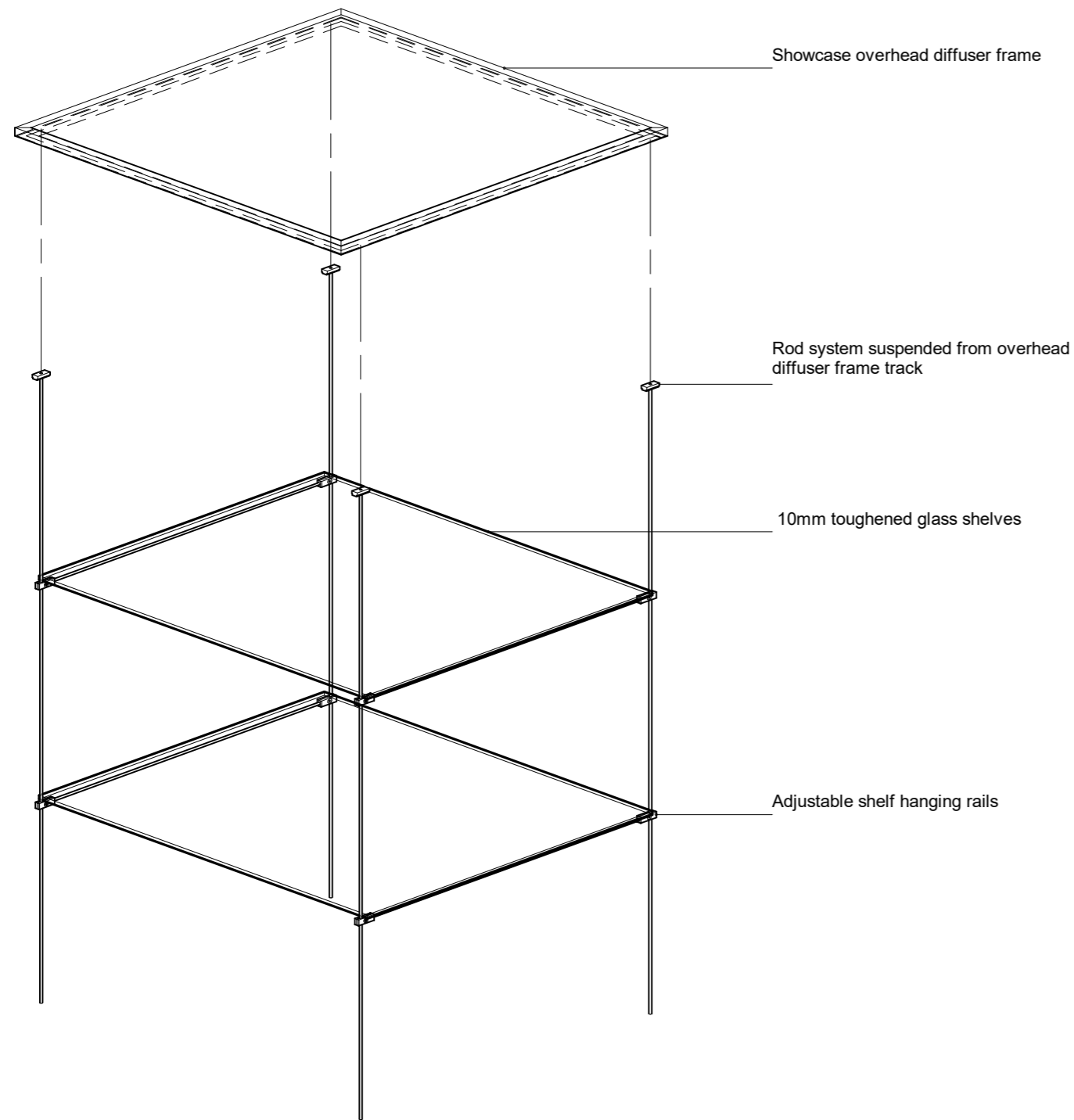
Hinged canopy

| | | |
|--|---|---|
| Standard features | ● | |
| Optional features | ○ | |
| <hr/> | | |
| Exterior frame finish | ● | Polyester powder coated to any RAL colour ref |
| Glazing | ● | 9.5mm laminated standard glass |
| | ○ | 9.5mm laminated low iron glass |
| Interior dress panel Back panel in sealed ZF MDF | ○ | Fabric finished to client's specification |
| | ○ | Polyester powder coated to any RAL colour ref |
| | ○ | Conservation grade emulsion painted to client's specification |
| | ○ | Laminate finished to client's specification |
| Security | ● | Abloy push locks |
| Lighting | ○ | Fibre optic heads with remote dimmable low voltage tungsten halogen projector |
| | ○ | Fibre optic heads with remote metal halide projector |
| | ○ | Low voltage LED |
| Conditioning | ○ | Silica gel cassette compartment |
| | ○ | Micro Climate AS 600 fan assisted silica gel system for larger volume showcases |
| Shelving | ○ | Adjustable cantilever system with 10mm toughened glass shelves |

Shelving

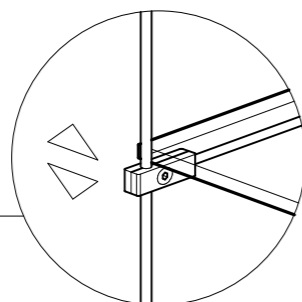
Suspended rod shelving system

Cantilever shelving system

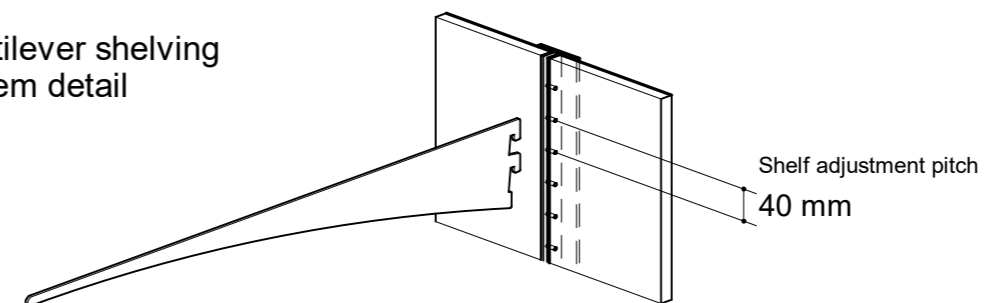


Suspended rod shelving system detail

Easily adjustable shelf hanging rails



Cantilever shelving system detail



**ARMOUR
SYSTEMS**

Armour Systems
Lyon Road,
Denbigh West,
Milton Keynes
MK1 1EX
GREAT BRITAIN

<https://www.armoursystems.co.uk>

info@armoursystems.co.uk

T: + 44(0)1908 377333

F: + 44(0)1908 631263